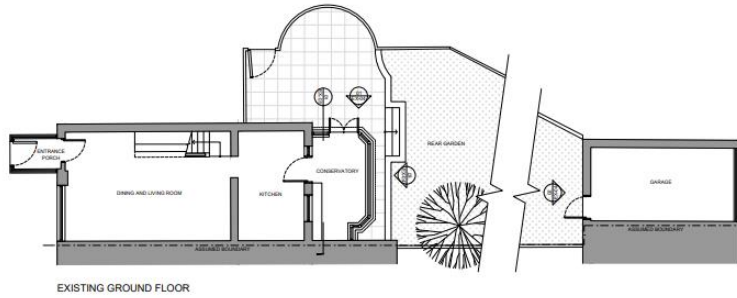


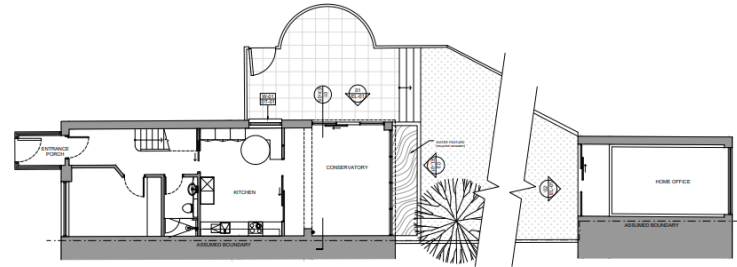
GABRIELA IBARRA

ARCHITECTURAL DESIGN + CAD SERVICES

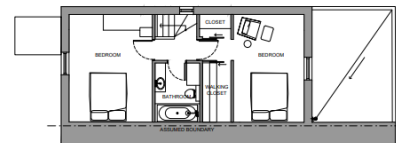
CAD / BIM PORTFOLIO



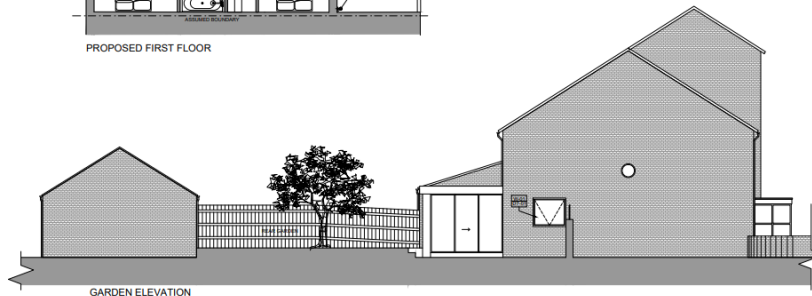
EXISTING GROUND FLOOR



PROPOSED GROUND FLOOR



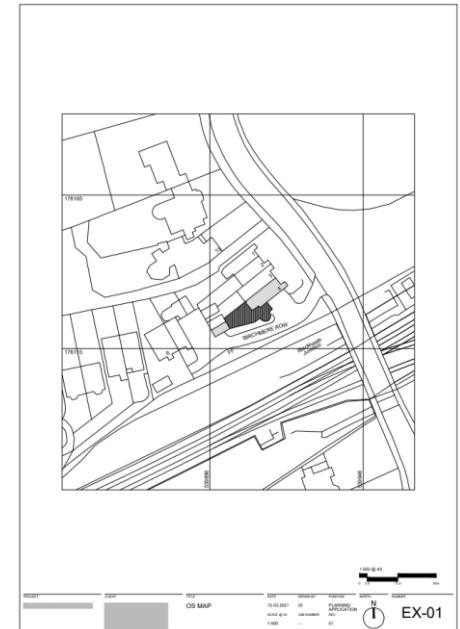
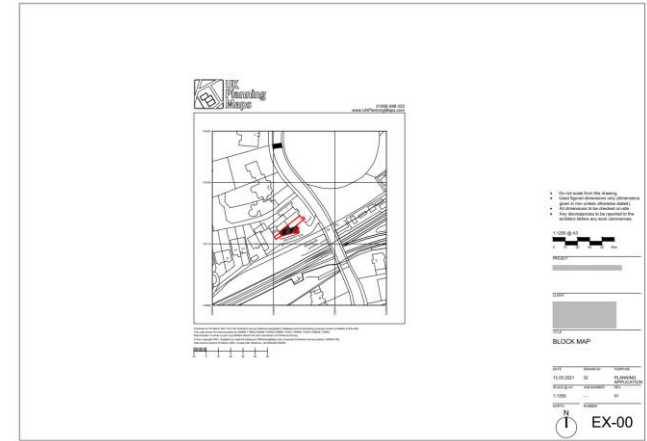
PROPOSED FIRST FLOOR

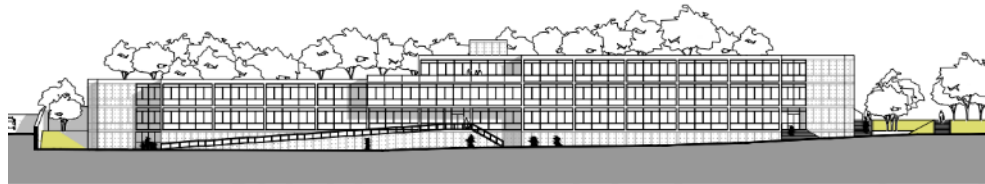


GARDEN ELEVATION



CONSERVATORY ELEVATION

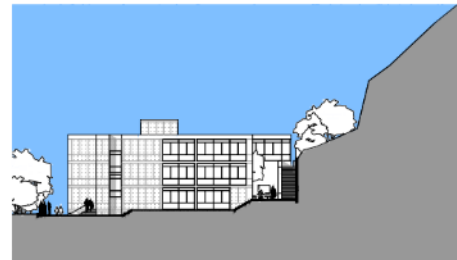




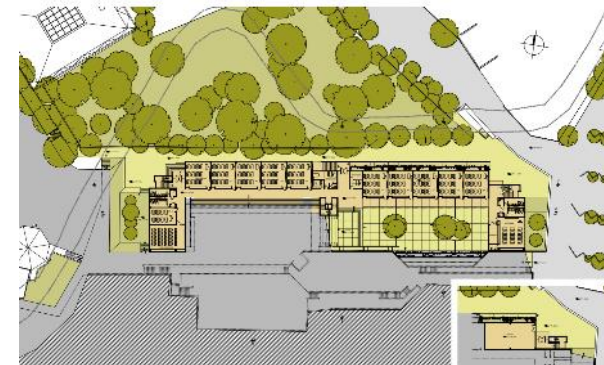
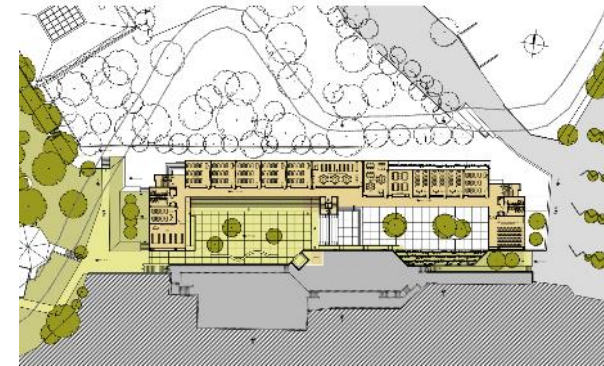
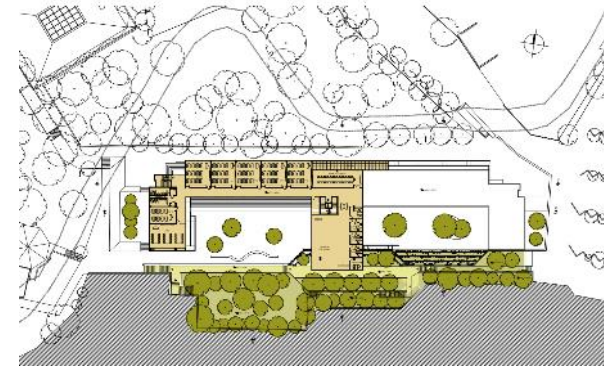
FACHADA NORO

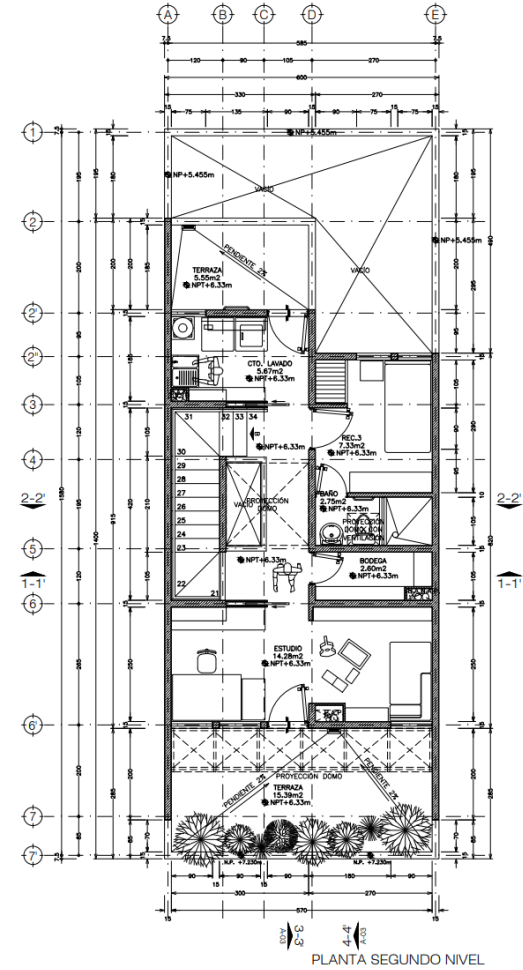
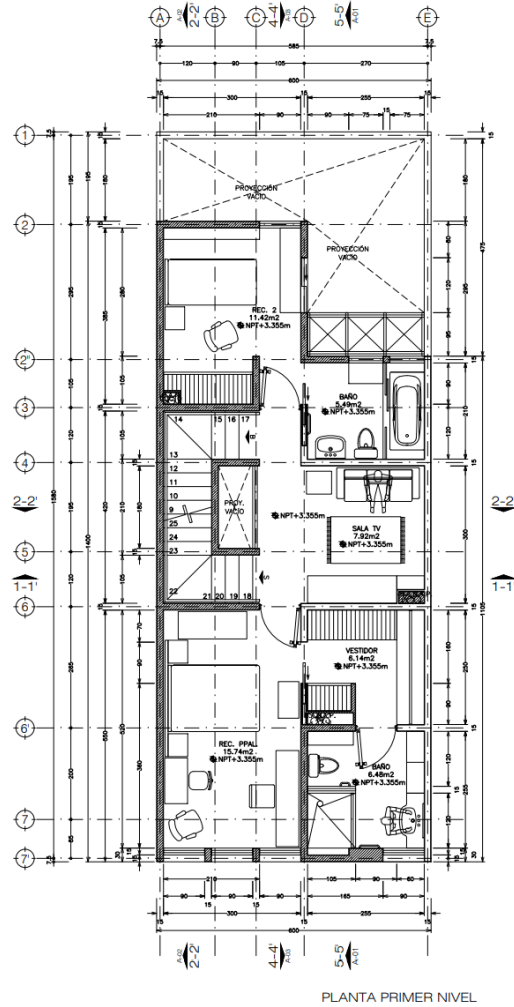
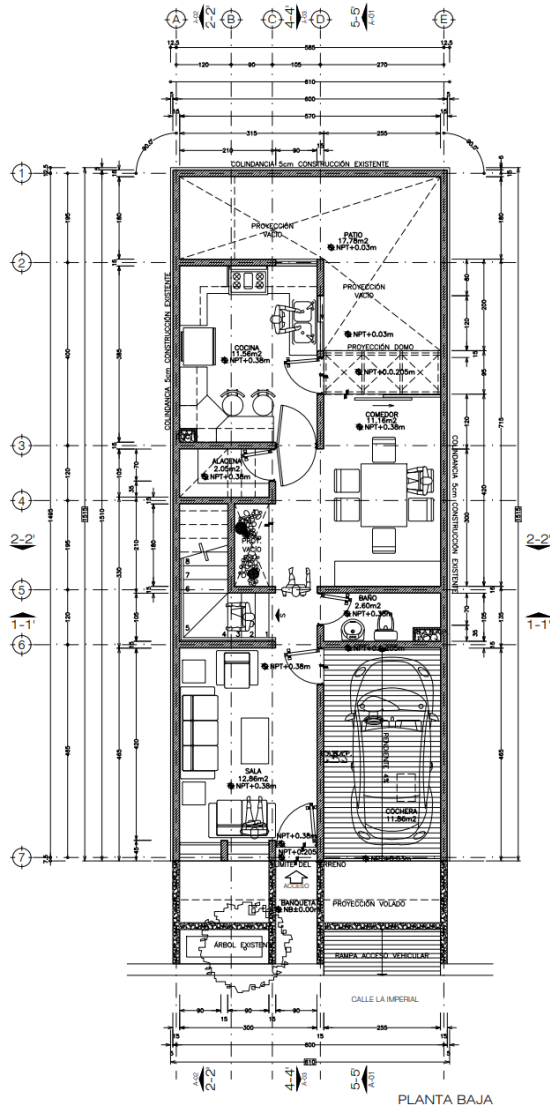


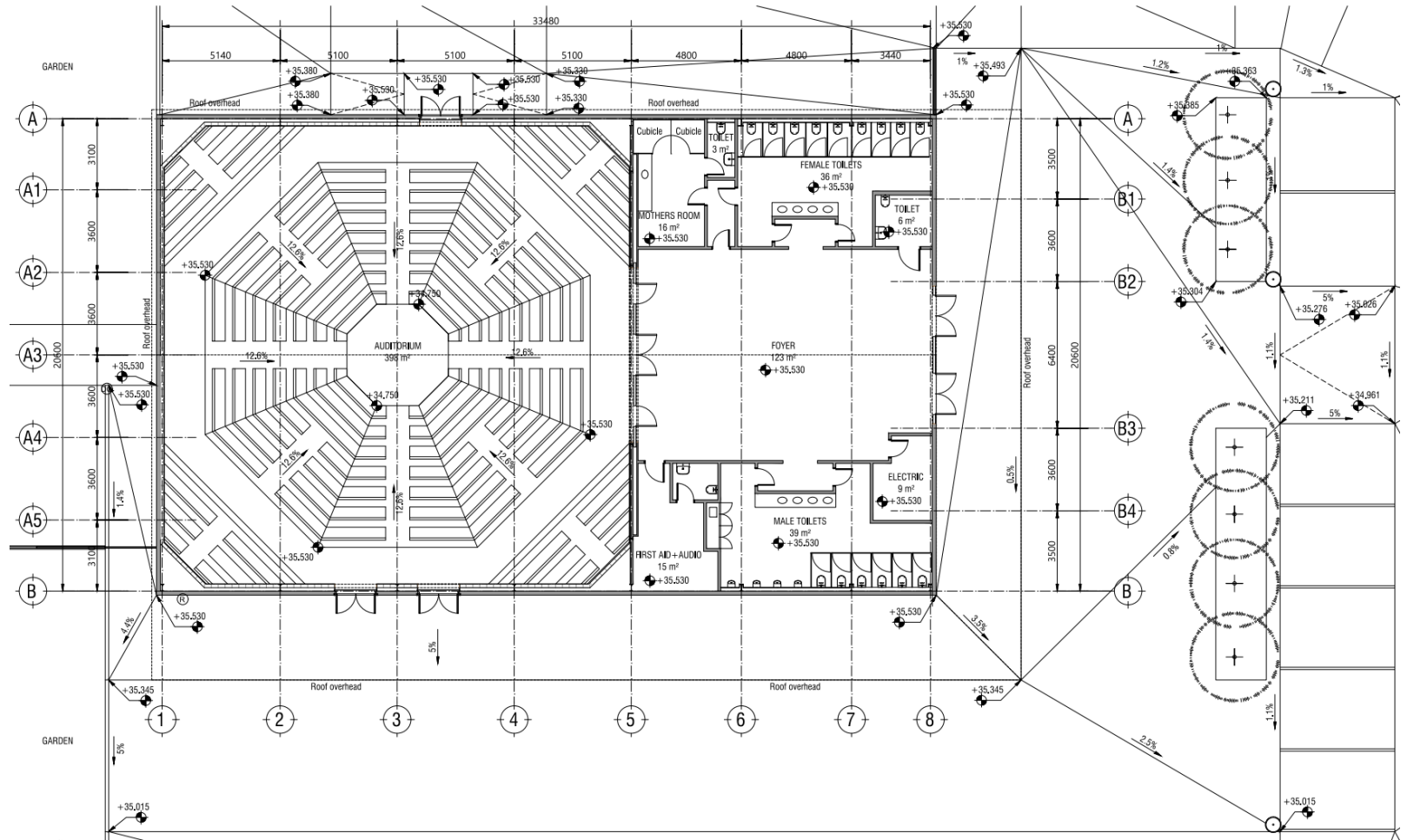
FACHADA ORIENTE

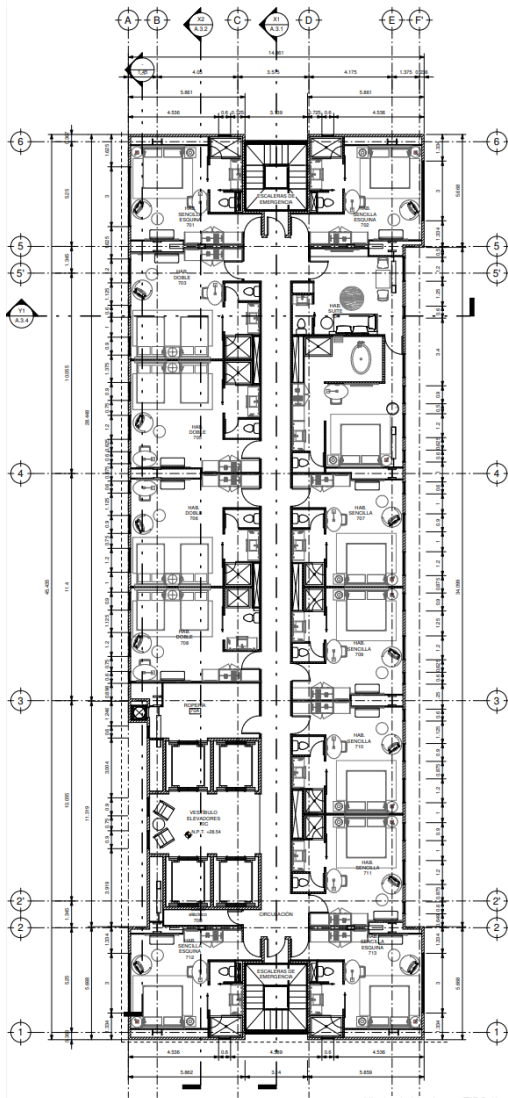


FACHADA PONIENTE

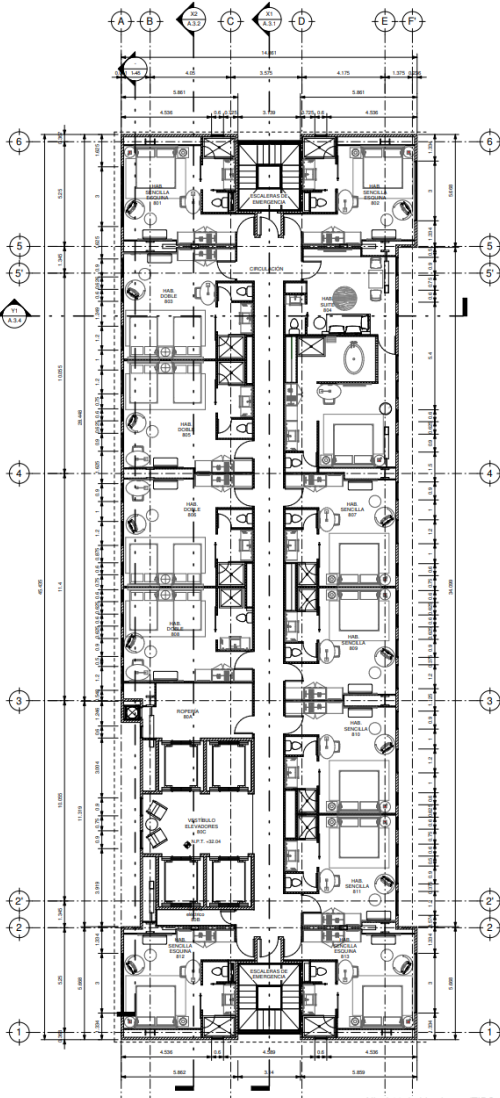




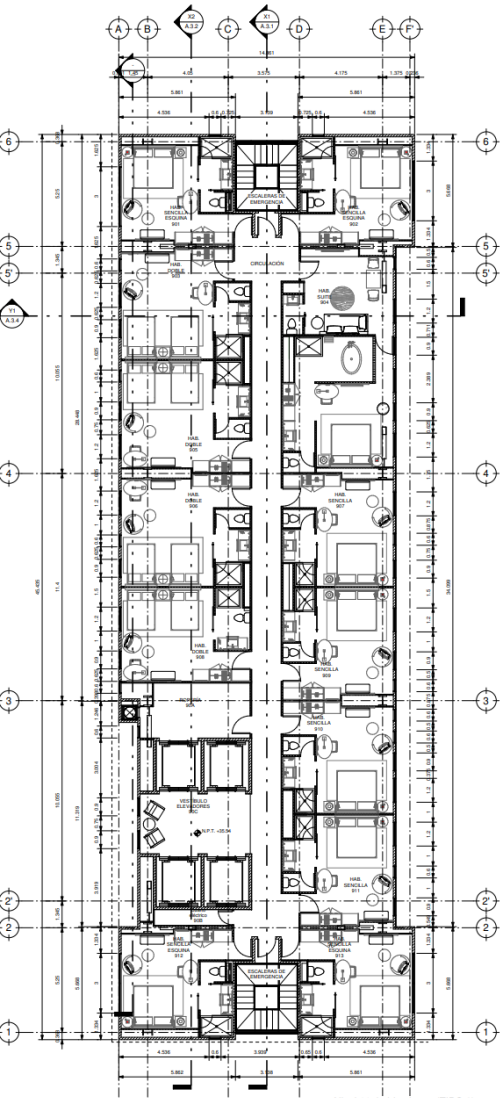




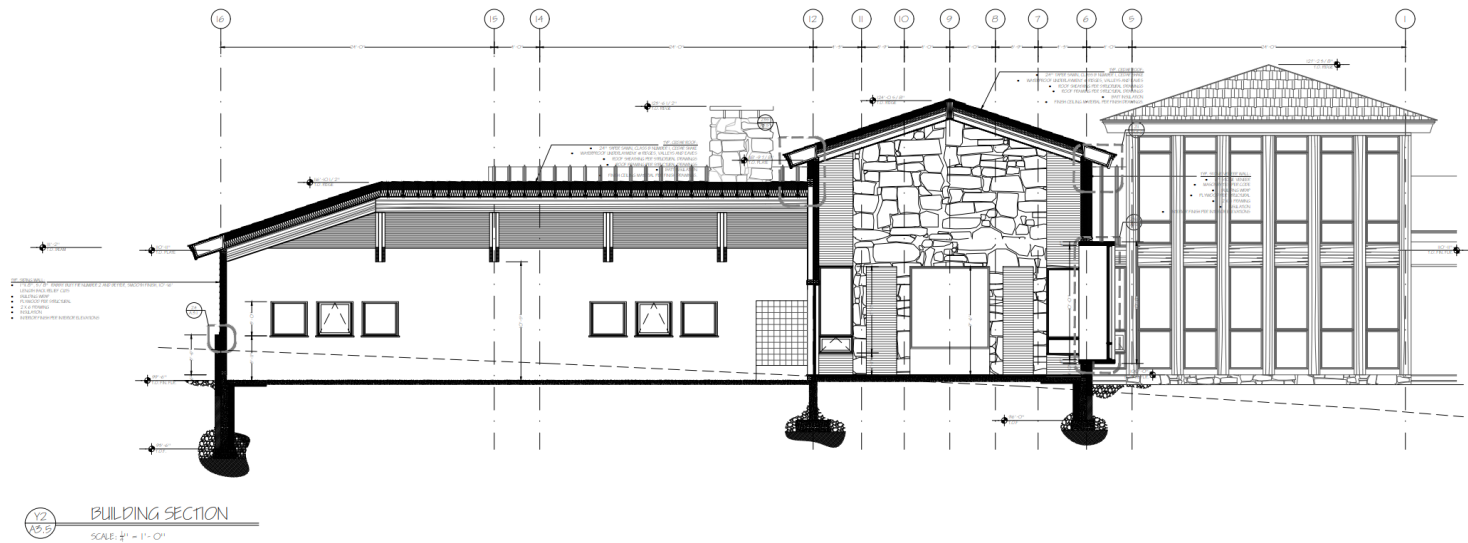
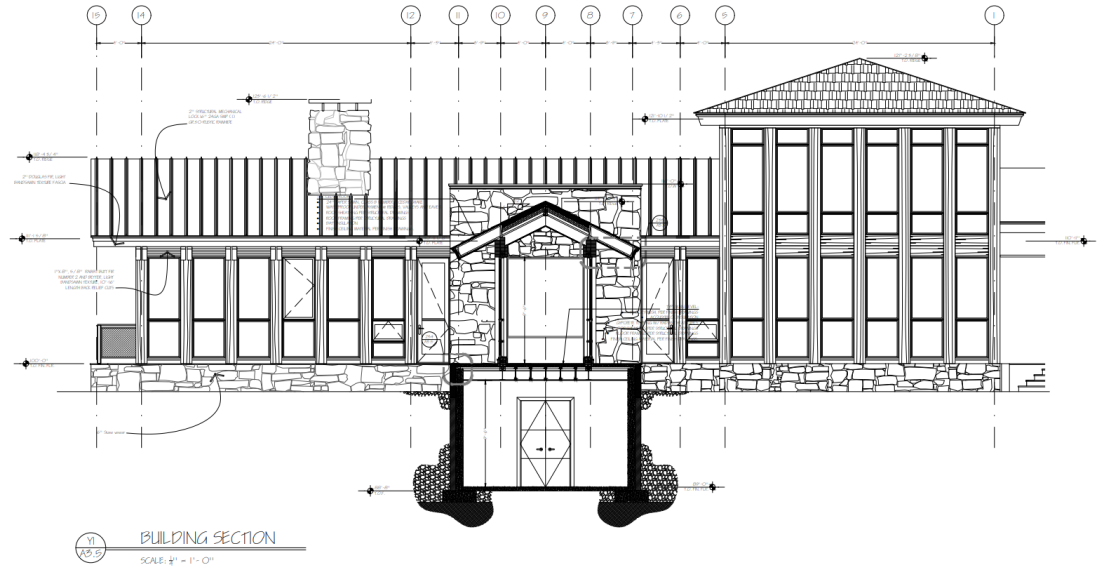
Nivel 9, habitaciones (TIPO 3)
1:100



Nivel 10, habitaciones (TIPO 1)
1:100

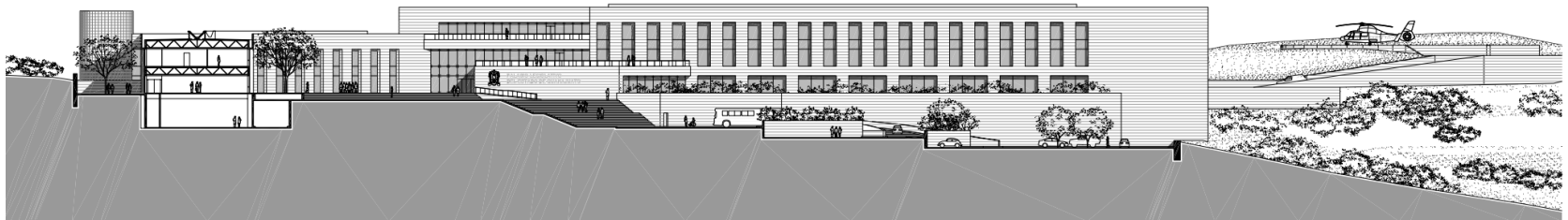


Nivel 11, habitaciones (TIPO 2)
1:100

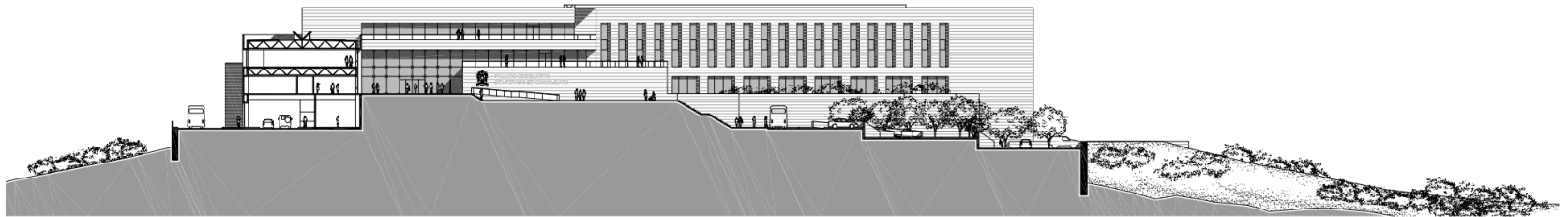




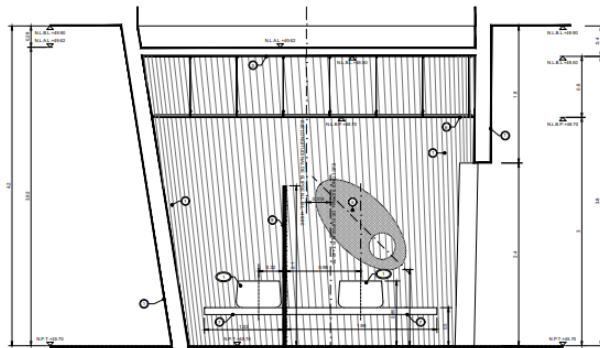
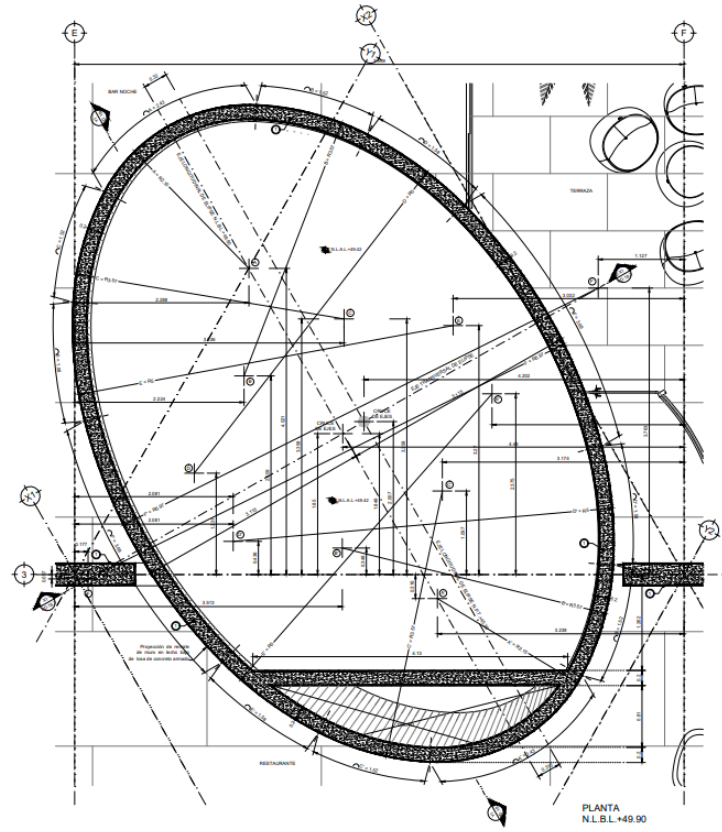
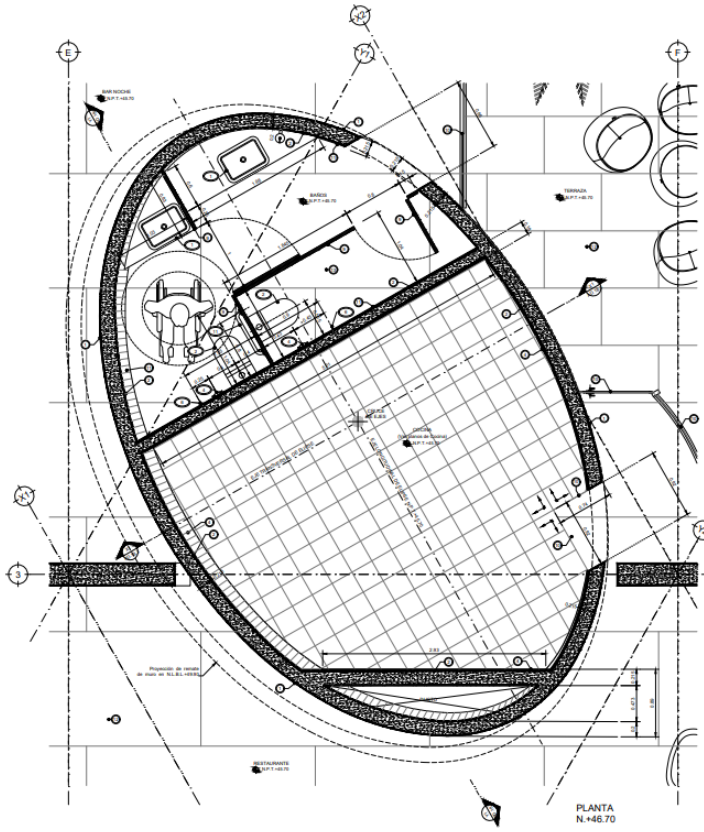
FACHADA NOR-ORIENTE



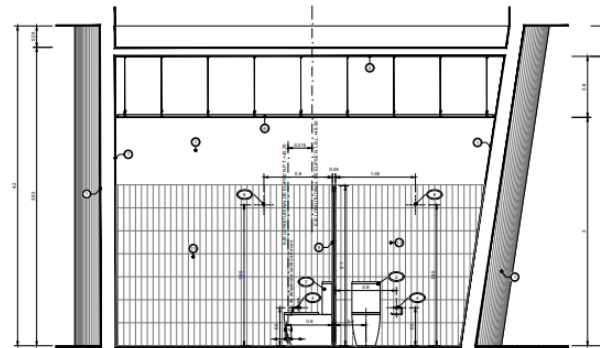
CORTE 1-1'



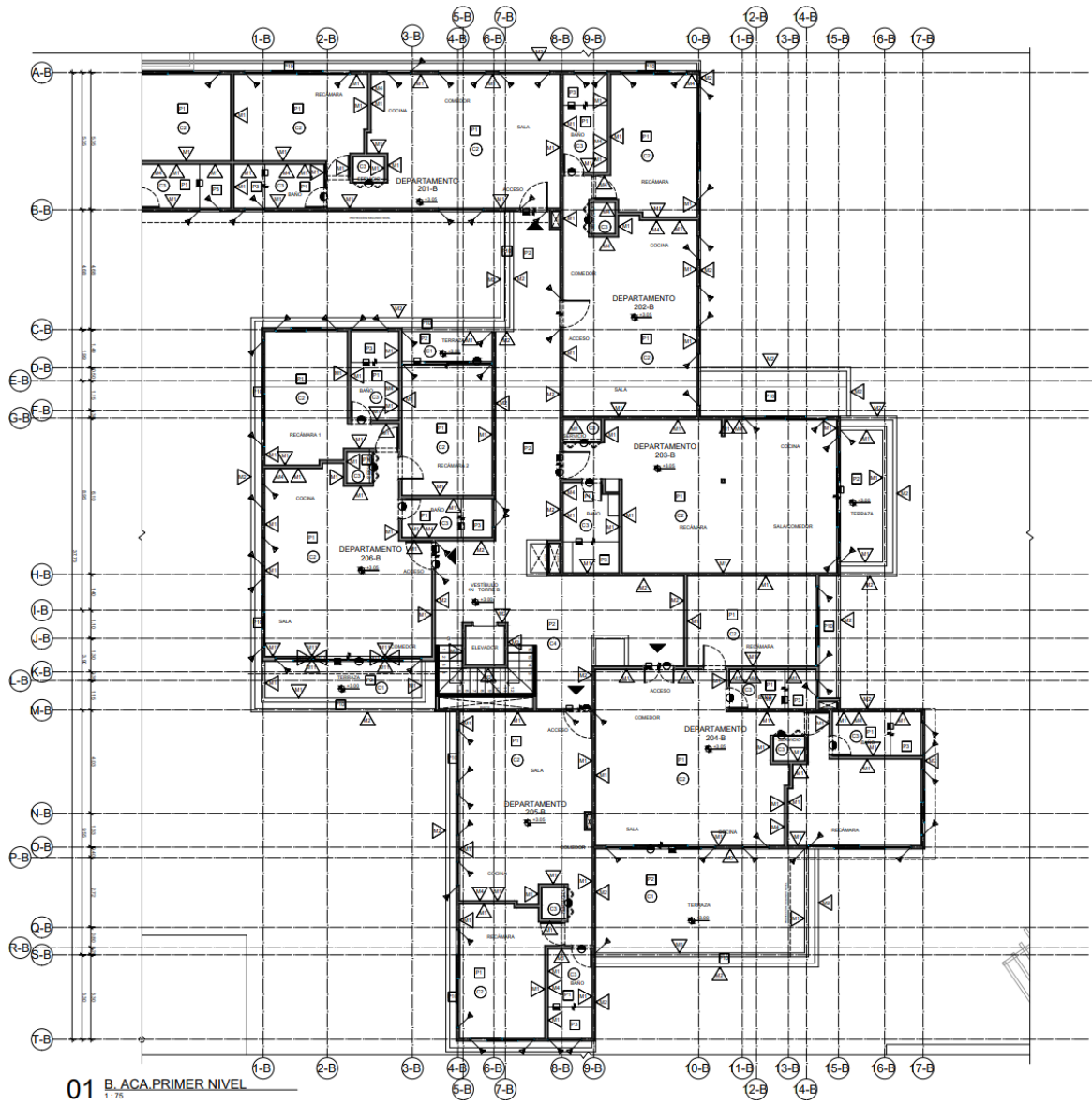
CORTE 2-2'



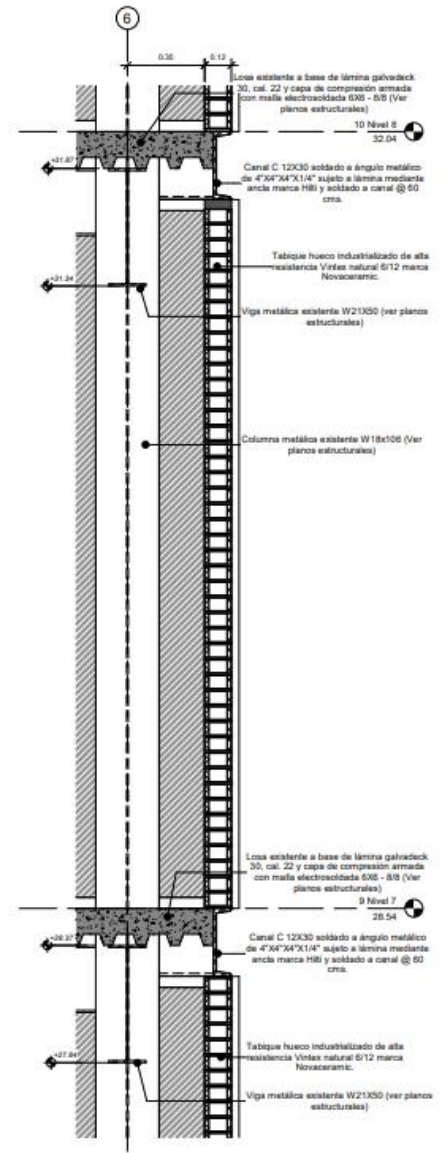
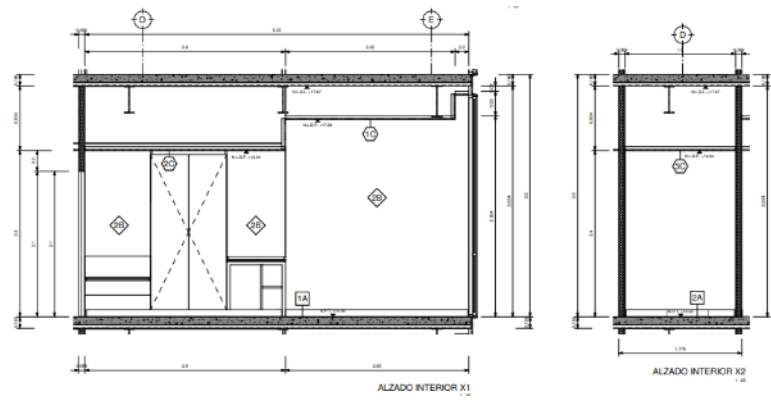
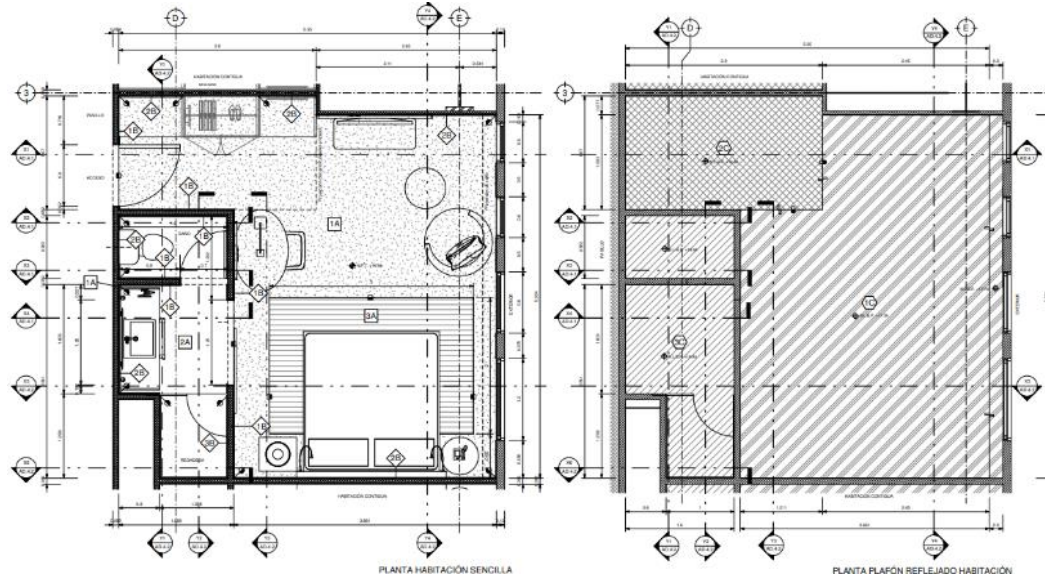
CORTE
TRANSVERSAL X2



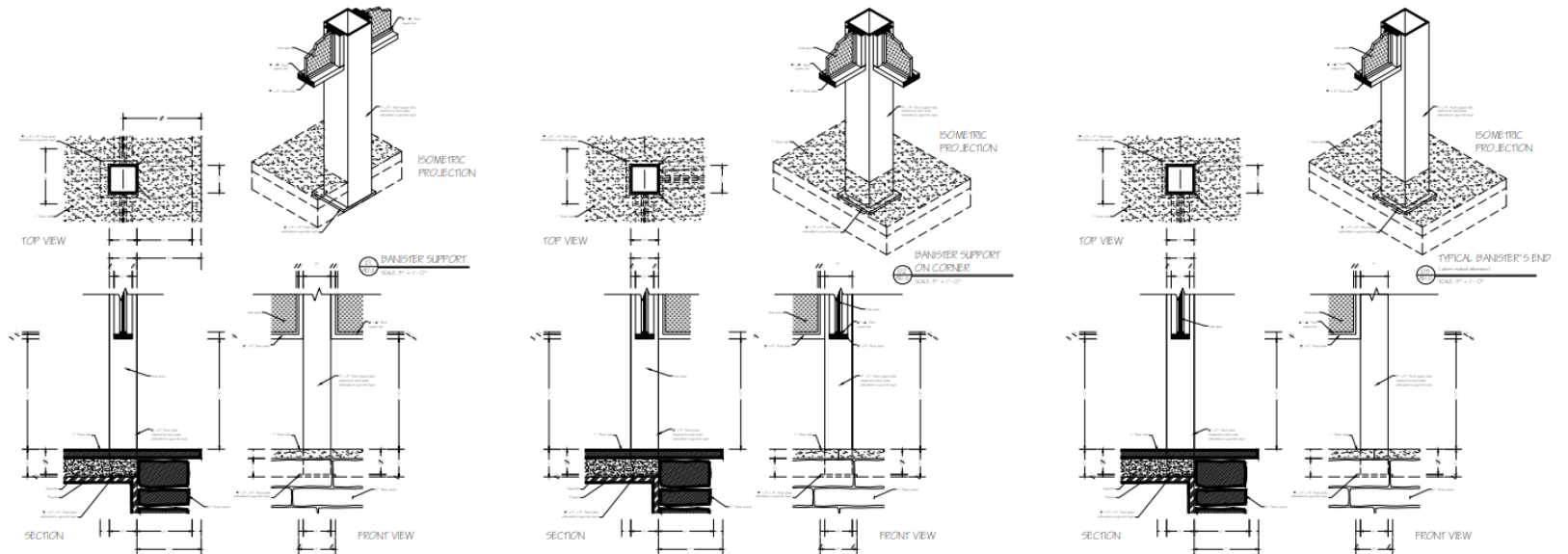
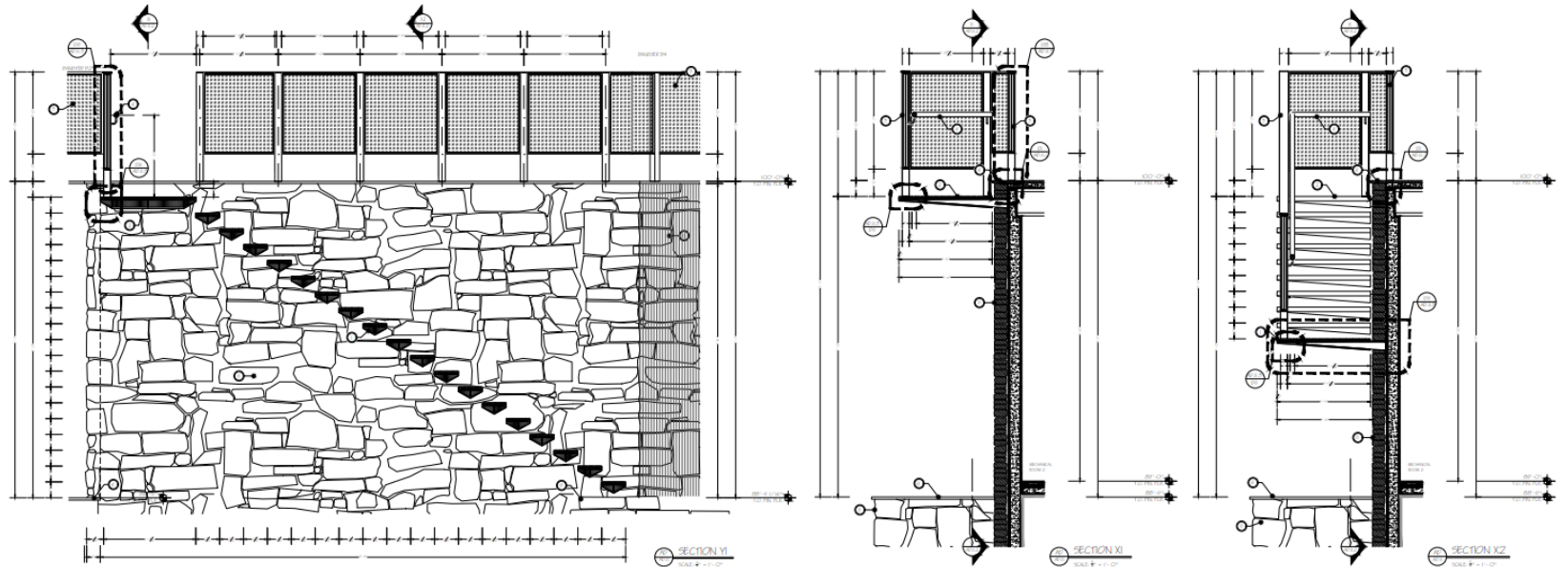
CORTE
TRANSVERSAL X3

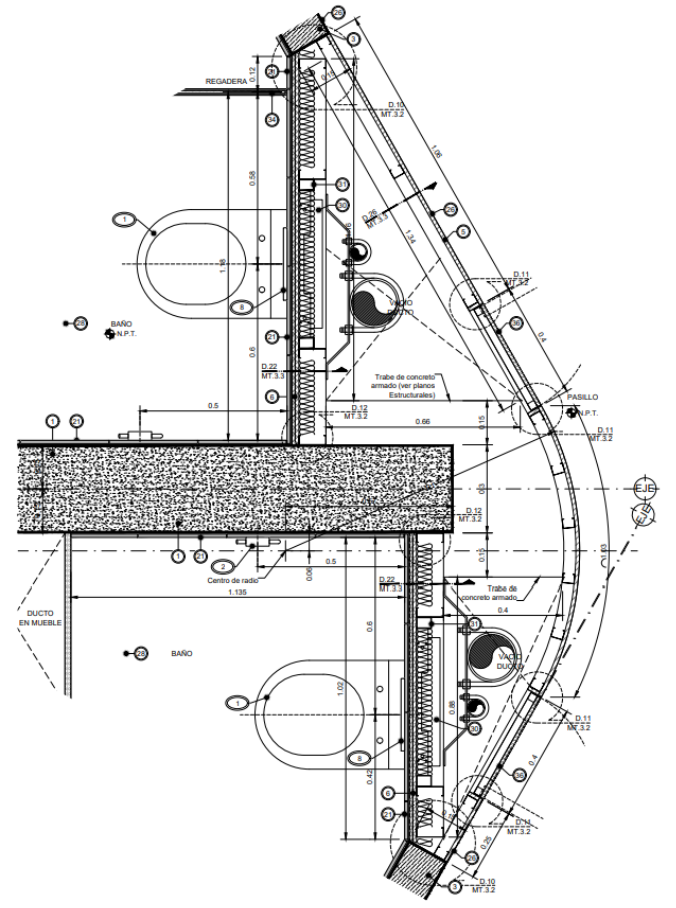
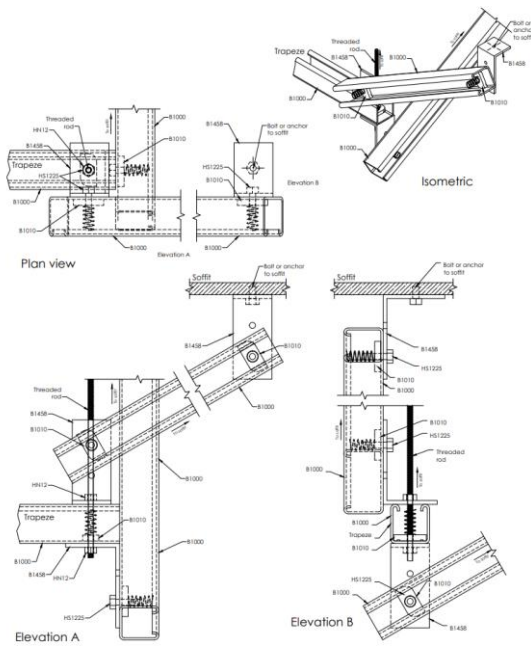
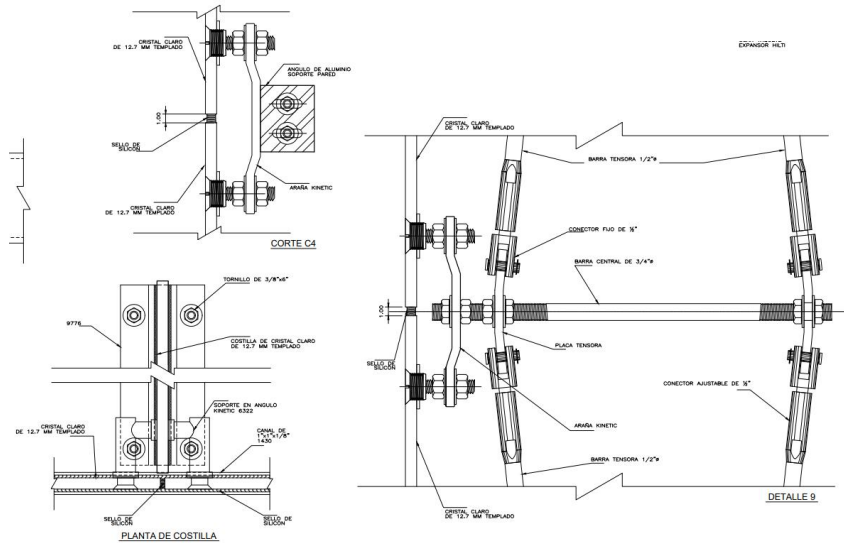


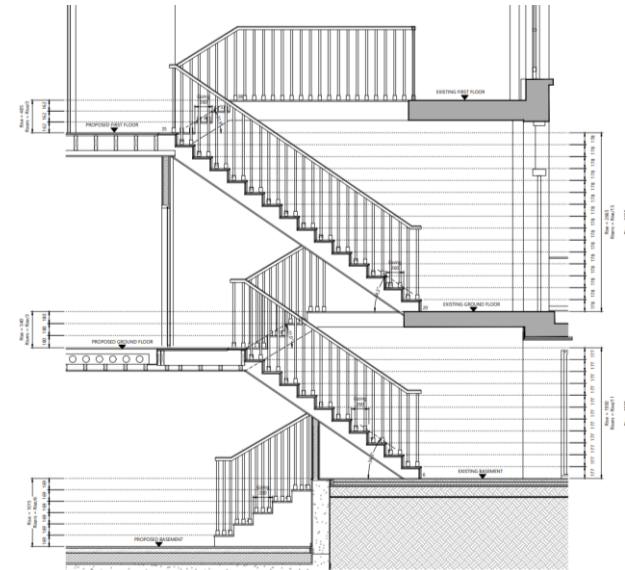
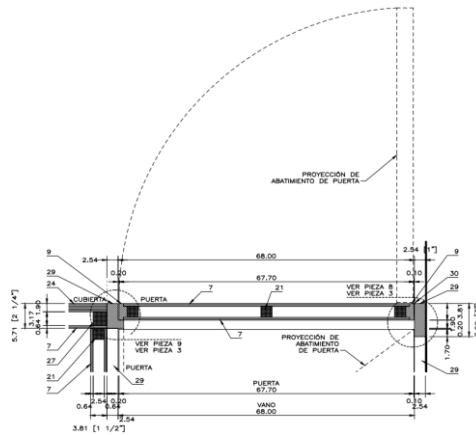
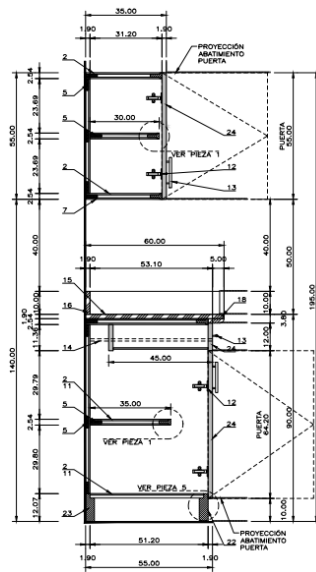
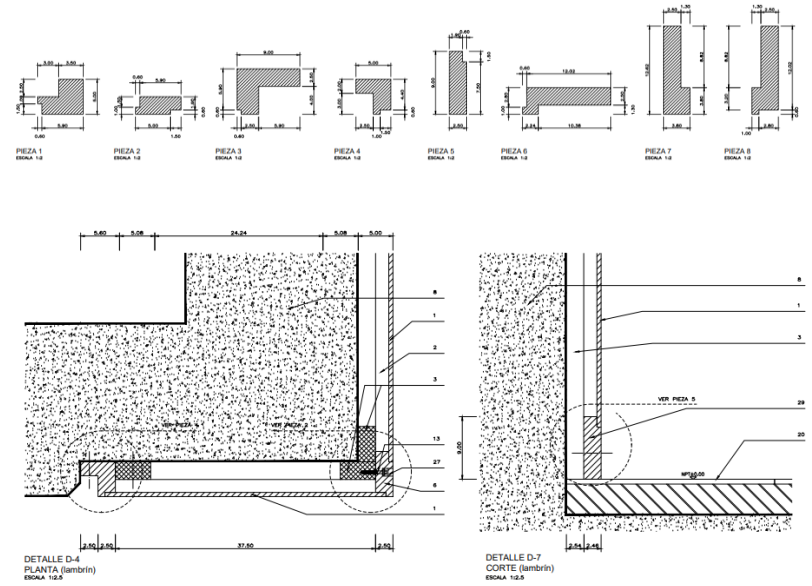
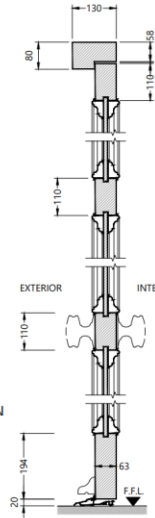
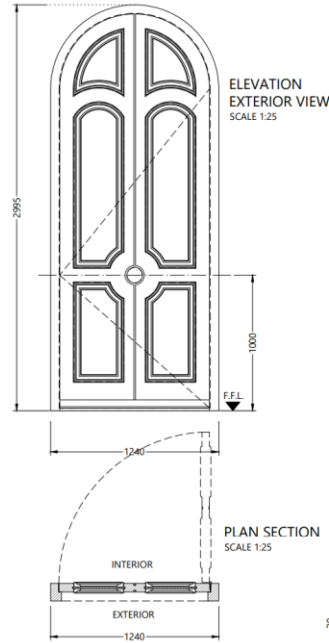
01 B.ACA.PRIMER NIVEL
 1:75

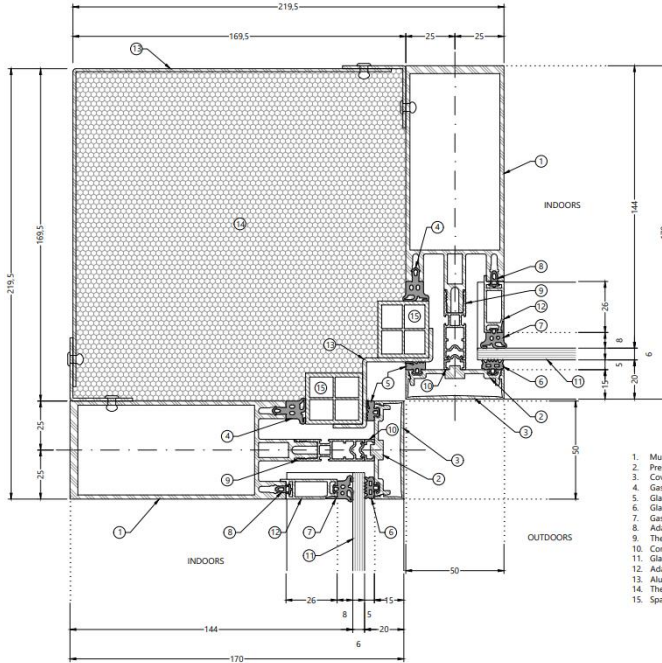


3 Detalle tipo de muro
 1:10

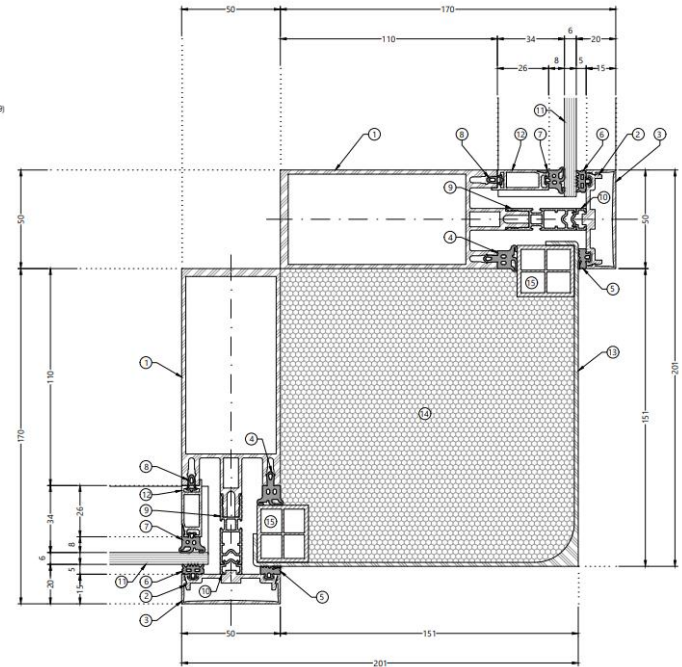
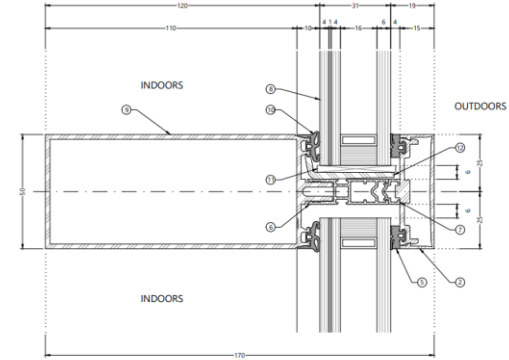


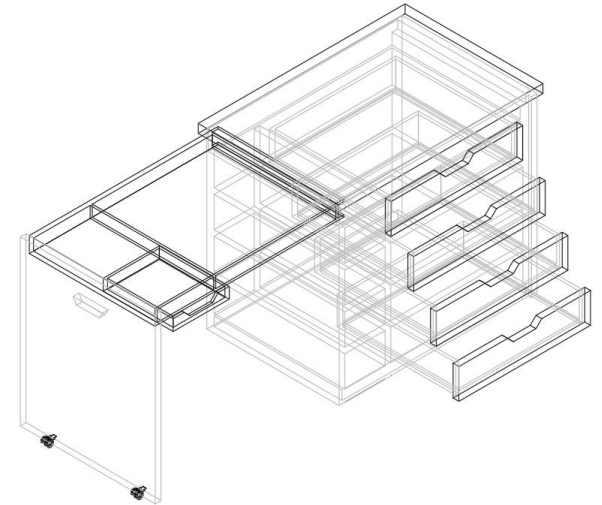
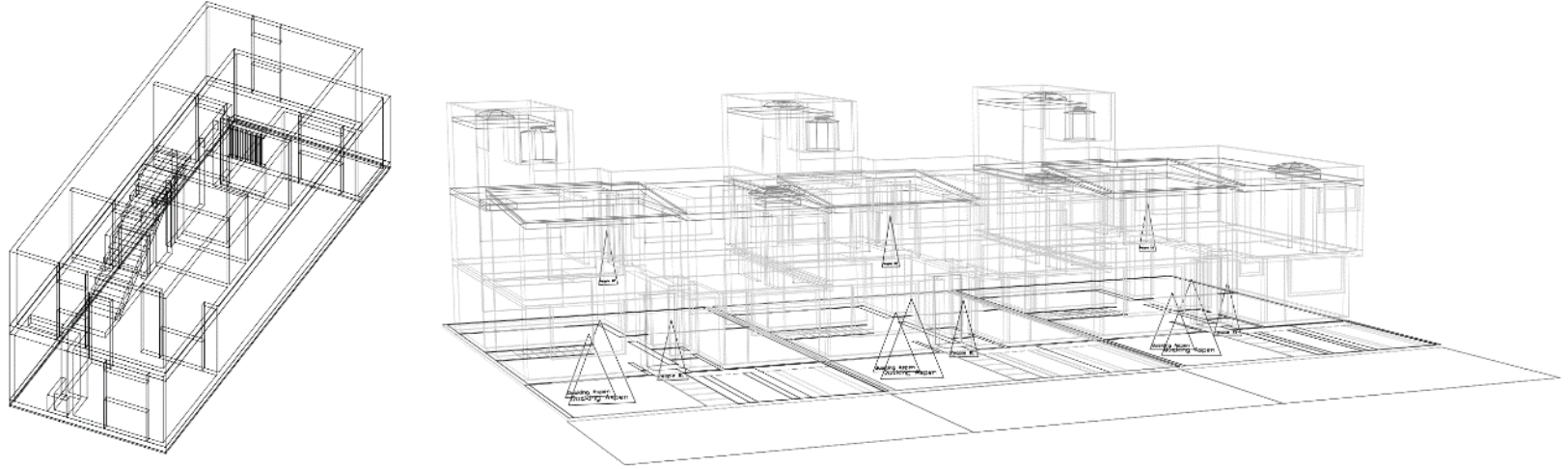


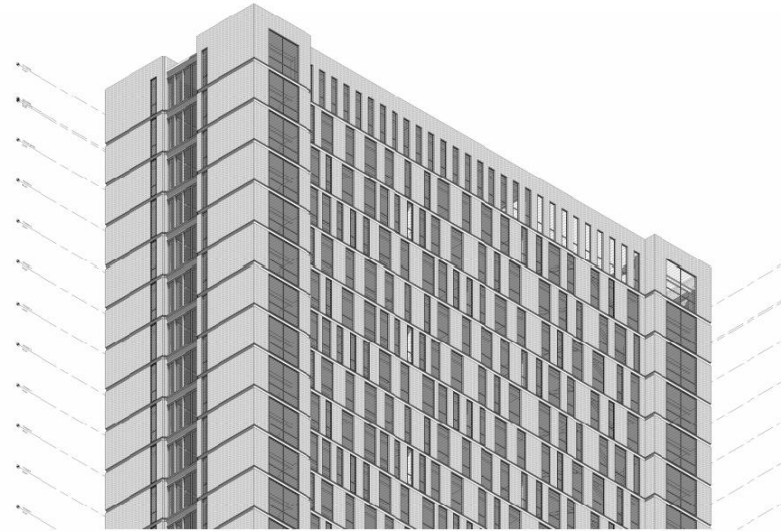




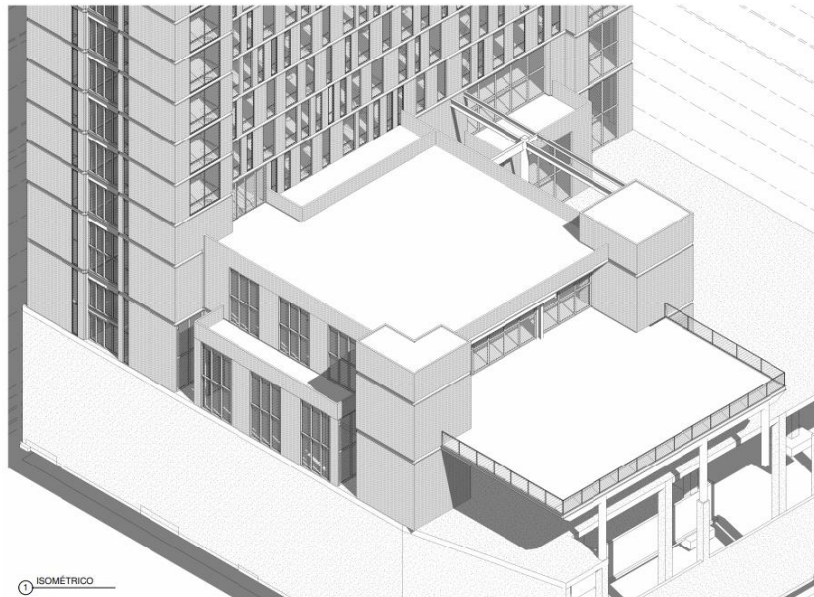
1. Mullion profile E1 50/126mm
2. Pressure profile 46.8/10.5mm, perforated (135193)
3. Cover for pressure profile 50/15mm (135071)
4. Gasket frame black EPDM, gap 10mm (190280)
5. Glazing gasket 4mm (190311)
6. Glazing gasket 5mm (4010349)
7. Gasket black EPDM, gap 8mm (190288)
8. Adapter gasket 17mm EPDM (190307)
9. Thermal break profile, ABS 24mm (196060)
10. Compensating thermal break profile, ABS 5mm (196069)
11. Glass
12. Adapter profile 26mm (135132)
13. Aluminum sheet 2mm
14. Thermal insulation
15. Spacer



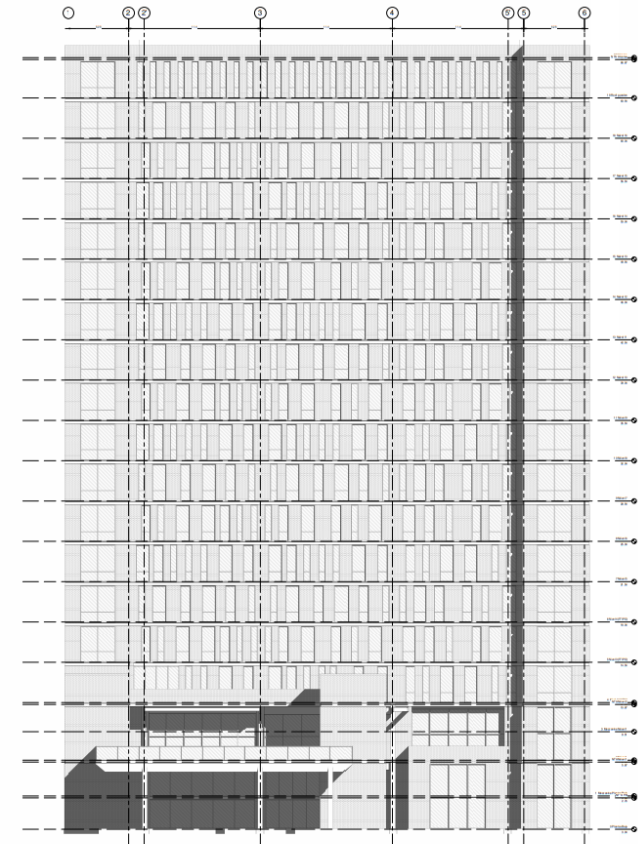




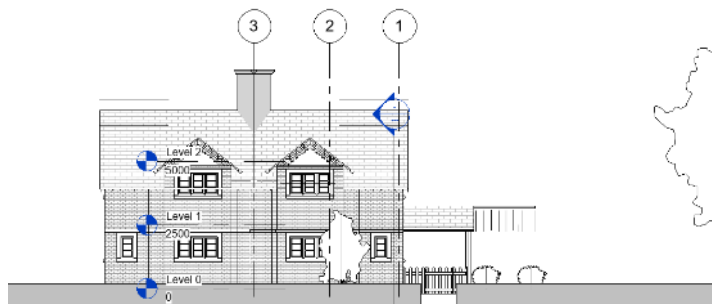
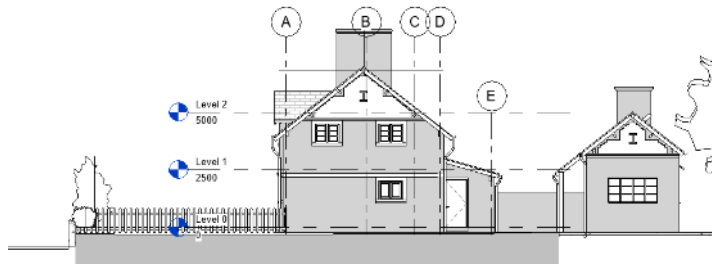
① ISOMÉTRICO 2



① ISOMÉTRICO



① Fachada Sur
1:100









GABRIELA IBARRA

gabriela@architecturematters.co.uk